

Model: **A-JR101-3B**

Optional Versions: Analogue, VoIP SIP, GSM/4G



- Push-to-call Autodial Telephone with 3 Metal Call Buttons
- Non-Corrosive Cast Aluminium Body with Steel Face Plate
- Robust and Vandal Resistant Throughout
- Weather Protection Rated IP66 (IP67 on demand)
- Powered PoE, Analogue Line or 12v DC Mains (version dependant)
- Inductive Coupler Fitted as Standard for Hard of Hearing
- Simple Installation with Tamper Proof Bars & Fixings
- Non-Volatile Memory Programmable for Speed Dialling
- Programming: SMS (GSM / 4G), DTMF (analogue) web interface (SIP)
- Remote status reporting – GSM / 4G version
- Dry contact relays available on-demand
- Choice of Customised Labelling
- RoSH, CE & FCC Compliant.

A professional IP66-IP67 weatherproof push-to-call telephone with multiple autodial calling buttons, provides a full duplex operation for heavy industrial or public use. Designed to meet the needs of clients who experience loss or damage through heavy use or vandalism.



Fully contained within a corrosion resistant cast aluminium weatherproof case with a door providing complete protection against dust and moisture ingress, this is a highly reliable product with a long MTBF (50,000 hours). The unique robust handset is manufactured from bulk moulding compound and designed specifically to withstand arduous use in all environments, armoured cord to provide additional resistance to vandalism or heavy industrial use. Very easy to install. The cable entrance through M20 metal gland located to the bottom of the phone, this to prevent from artificial damage.

Versions:

Analogue powered by standard analogue line, connects 2 telephone pair to inner terminals – DTMF Config.

VoIP SIP powered by PoE (or 12V DC mains supply) configured web interface,

GSM, 3G, 4G Network supports Micro size SIM Card, powered by 12V DC mains adaptor configured remotely by SMS messaging

Casing Material	Die-cast aluminium body with industrial epoxy powder coated finish
Colour	yellow, red, other RAL colours on demand
Handset Material	Impact resistant ABS / stainless-steel spiral cord
Push Buttons	Vandal Resistant Stainless steel
Ringling Tone	80~90dba @1m - See version details
Hook Switch	Electric / magnetic no visible moving parts
IP Resistance	IP66 standard (IP67 on-demand)
Temperature	Operating: -30°C to +65°C Storing: -40°C to +75°C
M.T.B.F	In excess of 50,000 hours in use





Model: A-JR101-3B

STANDARD ANALOGUE SPECIFICATION

Analogue telephone, this provides a push-to-call autodialling and lift to-to-receive call function. Can be connected to any standard telephone line, including analogue PABX system and PSTN.

Dialling MF (tone)

Ringing Tone Shrill warble tone 80 dBA @ 1 metre typical

Lightning / Transients Protection to ITU-T k.21 enhanced levels

Programming Can be programmed remotely by DTMF tone or by using an internally located keypad

GSM / 4G TECHNICAL SPECIFICATIONS

SIM Micro Size SIM card

Working Frequency Range:

4G LTE FDD: B1/B3/B5/B7/B8/B20

LTE TDD: B38/B40/B41

WCDMA: B1/B5/B8

B3/B8

GSM:

Adapter Input 7.4 V-12V DC

Power Consumption Idle current: 75mA

Off hook current 160mA

Ringing Tone Shrill warble tone 90 dBA @ 1 metre typical

VoIP SIP Version

Power Supply PoE

Adapter Input 100-240VAC 50~60Hz

Output:5V/1A

Port

WAN: 10/100Base- T RJ-45 for

LAN, Auto MDIX

LAN: 10/100Base- T RJ-45 for PC,

Auto MDIX

Power Consumption

Idle:1.5W/ Active:1.8W

Communication Type

Full Duplex

Voice Features

- Support SIP 2.0 (RFC3261)
- Codec: G.711A/u, G.7231 high/low, G.729, G.722 G.726
- Echo cancellation: Support G.168 and hand-free can support 96ms
- Supports full duplex
- SIP support 2 servers, user can through each server to calling in and out
- SIP support SIP domain, SIP authentication (none, basic, MD5), DNS name of server, peer to peer
- SIP support 2 servers, user can through each server to calling in and out

Network Features

- WAN/LAN: support Bridge mode
- Support PPPoE for xDSL
- Support VLAN
- Support Stun penetration
- Support DHCP get IP on WAN port

Ambient Conditions

Protection Type IP66-IP67, Conforms to EN60529

Operating Temperature -30°C to +65°C

Storage Temperature -40°C to +75°C

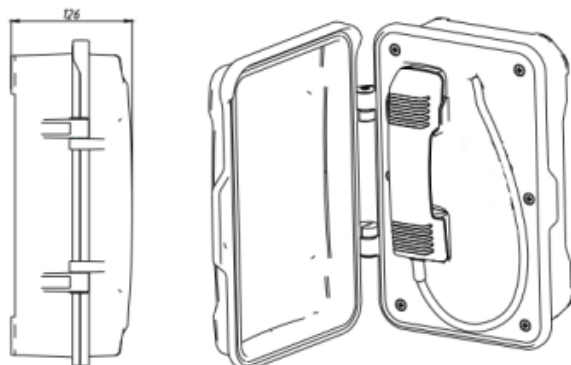
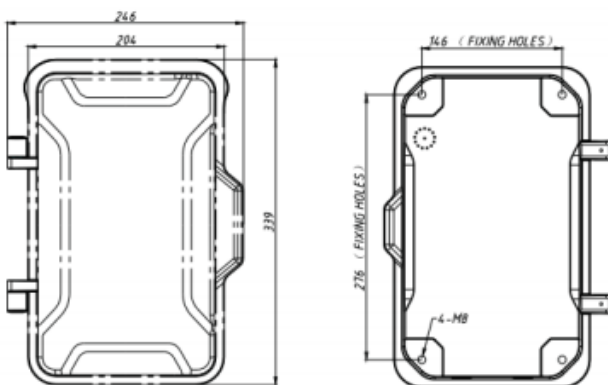
Unit size 204*334 *126mm

Packaging Size 300*440*200mm

Packaging Pearl Cotton, Carton

Gross weight 7 KG

M.T.B.F. Calculated M.T.B.F. in excess of 50,000 hours



CE - This mark indicates compliance with the: Radio and Telecommunications Terminal Equipment Directive 2004/108/EC
FC - This mark indicates compliance with the: FCC Part 15 Subpart B Class B

24 Month Warranty

24-month manufacturer defect warranty.

