

Model: **AJR208-CB**

Versions: Analogue, VoIP SIP, 3G GSM, 4G LTE (NEW)



- Flush In-Wall Mounting
- Lift-to-Call Autodial Function
- Rugged Stainless-Steel body
- Robust and Vandal Resistant Throughout
- Weather Protection Rated IP55, IP65 On Demand
- Powered PoE, Analogue Line or 12v DC Mains (version dependant)
- Inductive Coupler Fitted as Standard for Hard of Hearing
- Simple Installation with Tamperproof Fixings
- Non-Volatile Memory
- Programming: SMS (3G/4G), DTMF (analogue) Web Interface (SIP)
- Remote Status Reporting - 3G / 4G GSM Version
- Internal Relays Available On-Demand
- Choice of Customised Labelling
- RoSH, CE & FCC Compliant.



A professional industrial auto dialling telephone that provides a full duplex operation for heavy industrial, public or emergency use. Designed to meet the needs of clients who experience loss or damage through heavy use and vandalism.

Fully contained within a durable brushed stainless-steel case, the IP55 rating provides further protection against dust and moisture ingress, this is a highly reliable product with a long MTBF (50,000 hours). The robust handset is manufactured from molded bulk compound and designed specifically to withstand arduous use, with armoured cord, provides additional resistance to vandalism or heavy industrial use. Very easy to install. The cable entrance through the back of the phone, this to prevent from artificial damage.

Versions:

Analogue powered by standard analogue line, connects 2 wire – DTMF Config.

VoIP SIP powered by PoE – RJ45 connection to IP PBX and configured by web browser,

3G or 4G Network supports Standard size SIM Card, powered by 12V DC mains adaptor configured remotely by SMS messaging

Casing Material	Stainless-steel brushed finish
Colour	N/A
Handset Material	Impact resistant ABS / stainless-steel spiral cord
Keypad	No keypad
Ringing Tone	Shrill warble tone 80 dBA @1 metre typical
Hook Switch	Electric / magnetic no visible moving parts
IP Resistance	IP55-IP65 OD
Temperature	Operating: -30°C to +65°C Storing: -40°C to +75°C





Model: **AJR208-CB**

STANDARD ANALOGUE SPECIFICATION

As a standard analogue telephone, this unit provides basic telephone functions and can be connected to any standard two-wire telephone line, including analogue PABX lines and PSTN.

Dialling MF (tone)

Ringing Tone Shrill warble tone 80 dBA @ 1 metre typical

Lightning / Transients Protection to ITU-T k.21 enhanced levels

Programming Can be programmed remotely by DTMF tone

GSM / 3G TECHNICAL SPECIFICATIONS

SIM Standard Size SIM card

Working Frequency Range

GSM GSM850/900/1800/1900MHZ

3G WCDMA850/1900/2100MHZ

GSM850/900/1800/1900MHZ

Adapter Input 7.4 V-12V DC

Power Consumption Idle current: 75mA

Off hook current 160mA

Ringing Tone Shrill warble tone 90 dBA @ 1 metre typical

VoIP SIP Version

Power Supply POE, 00-240VAC 50~60Hz

Output:5V/1A

Port

WAN: 10/100Base- T RJ-45 for LAN, Auto MDIX

LAN: 10/100Base- T RJ-45 for PC, Auto MDIX

Power Consumption

Idle:1.5W/ Active:1.8W

Main Chip:

Broadcom

Communication Type

Full Duplex

Voice Features

- Support 2 lines SIP 2.0 (RFC3261)
- Support SIP 2.0 (RFC3261)
- Codec: G.711A/u, G.7231 high/low, G.729, G.722
- Echo cancellation: Support G.168 and hand-free can support 96ms
- Supports full duplex
- SIP support SIP domain, SIP authentication (none, basic, MD5), DNS name of server, peer to peer
- SIP support 2 servers, user can through each server to call in and out

Network Features

- WAN/LAN: support Bridge mode
- Support PPPoE for xDSL
- Support VLAN
- Support Stun penetration
- Support DHCP get IP on WAN port

Ambient Conditions

Protection Type IP55 / IP65, Conforms to EN60529

Operating Temperature -30°C to +65°C

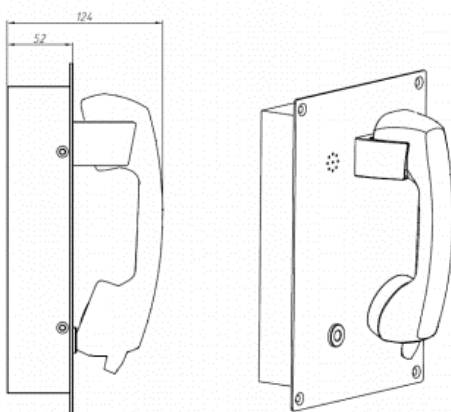
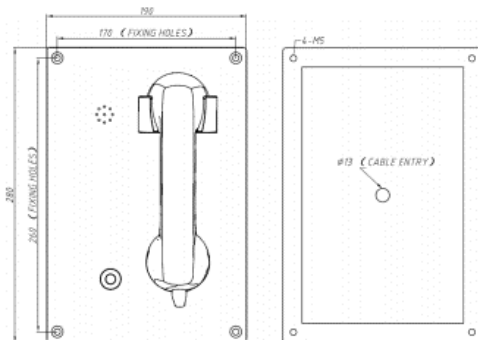
Storage Temperature -40°C to +75°C

Unit size 280 *190 *124 (mm)

Packaging Pearl Cotton, Carton

Gross weight 3.5 KG

M.T.B.F. Calculated M.T.B.F. in excess of 50,000 hours



CE - This mark indicates compliance with the: Radio and Telecommunications Terminal Equipment Directive 2004/108/EC
FC - This mark indicates compliance with the: FCC Part 15 Subpart B Class B

24 Month Warranty

24-month manufacturer defect warranty.

